

# PS2-4000 C-SJ5-25

Solar Submersible Pump System for 4" wells

## System Overview

Head	max. 140 m
Flow rate	max. 7,0 m³/h

## Technical Data

### Controller PS2-4000

- Controlling and monitoring
- Control inputs for dry running protection, remote control etc.
- Protected against reverse polarity, overload and overtemperature
- Integrated MPPT (Maximum Power Point Tracking)
- Integrated Sun Sensor

Power	max. 4,0 kW
Input voltage	max. 375 V
Optimum Vmp**	> 238 V
Motor current	max. 14 A
Efficiency	max. 98 %
Ambient temp.	-40...50 °C
Enclosure class	IP68

### Motor ECDRIVE 4000-C

- Maintenance-free brushless DC motor
- Water filled
- Premium materials, stainless steel: AISI 304/316
- No electronics in the motor

Rated power	4,0 kW
Efficiency	max. 92 %
Motor speed	900...3.300 rpm
Insulation class	F
Enclosure class	IP68
Submersion	max. 150 m

### Pump End PE C-SJ5-25

- Non-return valve
  - Premium materials, stainless steel: AISI 304
  - Centrifugal pump
- |            |           |
|------------|-----------|
| Efficiency | max. 54 % |
|------------|-----------|



### Pump Unit PU4000 C-SJ5-25 (Motor, Pump End)

Borehole diameter	min. 4,0 in
Water temperature	max. 50 °C

## Standards



2006/42/EC, 2004/108/EC, 2006/95/EC

IEC/EN 61702:1995, IEC/EN 62253 Ed.1

The logos shown reflect the approvals that have been granted for this product family. Products are ordered and supplied with the approvals specific to the market requirements.

\*\*Vmp: MPP-voltage under Standard Test Conditions (STC): 1000 W/m² solar irradiance, 25 °C cell temperature

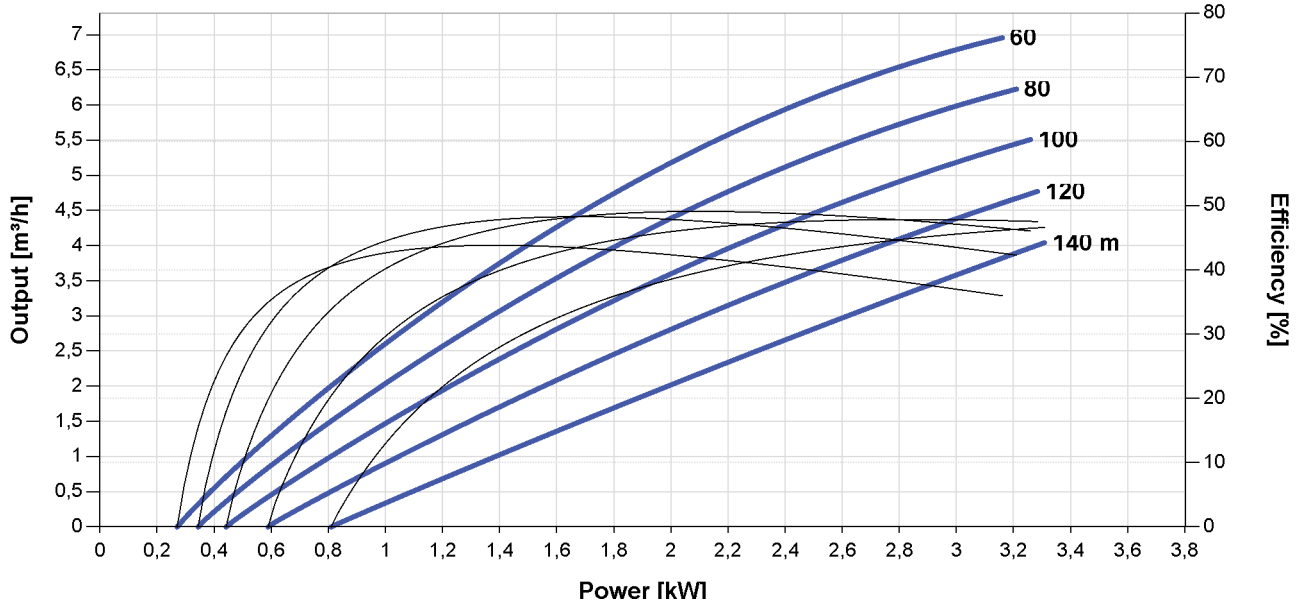


## PS2-4000 C-SJ5-25

Solar Submersible Pump System for 4" wells

### Pump Chart

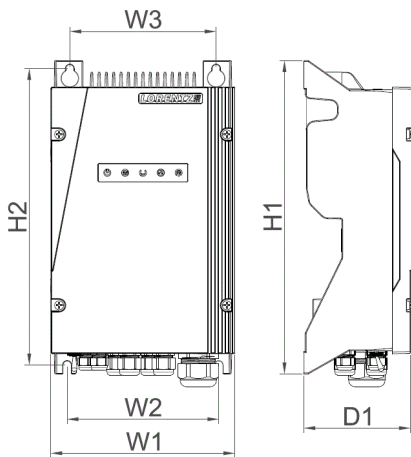
Vmp\* > 238 V



### Dimensions and Weights

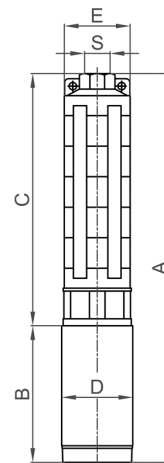
#### Controller

H1 = 352 mm  
 H2 = 333 mm  
 W1 = 207 mm  
 W2 = 170 mm  
 W3 = 164 mm  
 D1 = 124 mm



#### Pump Unit

A = 941 mm  
 B = 245 mm  
 C = 696 mm  
 D = 96 mm  
 E = 98 mm  
 S = 1,5 in



	Net weight
Controller	6,1 kg
Pump Unit	18 kg
Motor	10 kg
Pump End	8,0 kg

\*Vmp: MPP-voltage under Standard Test Conditions (STC): 1000 W/m² solar irradiance, 25 °C cell temperature

